

Reference : C-R28S29 8F-28FR+TC

The Fixolite box is a 6 m long prefabricated lintel box designed to receive a closure (roller shutter, BSO, etc.). The box consists of an inverted U-shaped, fire-retardant expanded polystyrene (30 kg/m³ density) shell reinforced with steel mesh. The side walls are fitted with aluminum rails.

Reinforced model box. This box is reinforced by 3 mm steel brackets, every 1.2 m and is intended for openings of more than 1.6 m. The box is certified by Technical Advice to the CSTB.

Type	R28S29
Outer rail ref.	8F
Inner rail ref.	28FR
Color	Grey graphitized polystyrene
Compatible cheek	J-28
Certification	CSTB 16-11-634 (translated)

Thermal conductivity U = 1.14 W/m².K

Thermal resistance* R = 0.88 m².K/W

(*) R: thermal resistance (m².K/W) taking into account a λ coefficient of 0.0374 W/m.K after application of a safety coefficient of 1.15.

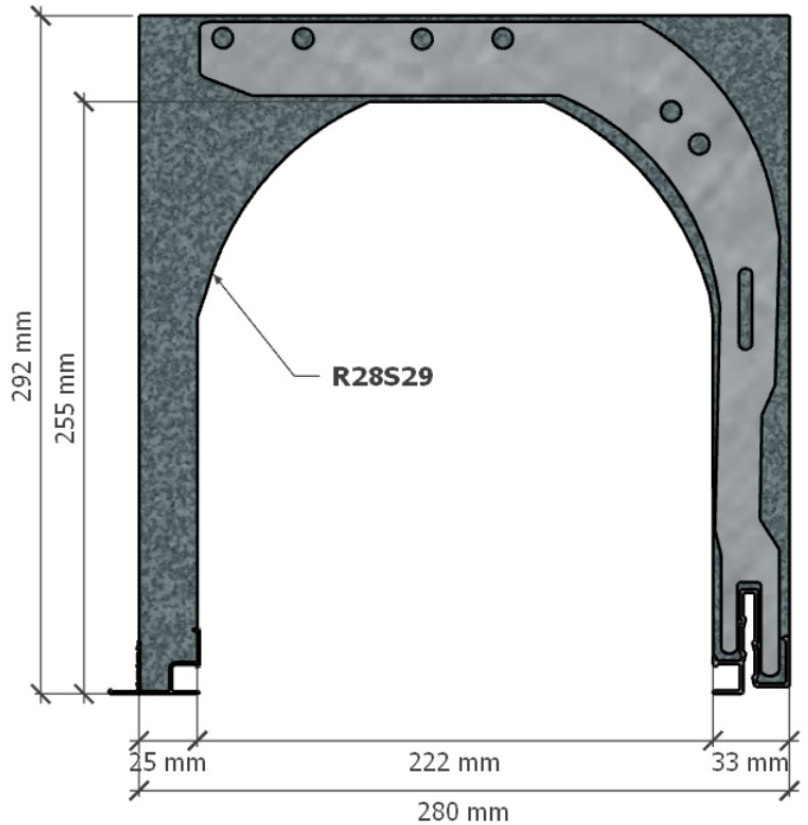
Weight	6.85 kg/m
Reaction to fire	class E (EN ISO 11925-2/EN 13 501)
Air permeability	c*3 class
Acoustic perf. (Dn _W)	55 dB

Box dimensions

Width	280 mm
Height	292 mm
Tunnel	222 mm
External side	33 mm
Internal side	25 mm

Components

[label.finitionTC]	4.06 kg/m
Aluminium (recycl. 85%)	0.95 kg/m
Steel (recycl. 96.5%)	1.02 kg/m
Polystyrene (recycl. 10%)	0.82 kg/m
Total	6.85 kg/m



Box shown: C-R28S29 8-28FR

Sides finishing

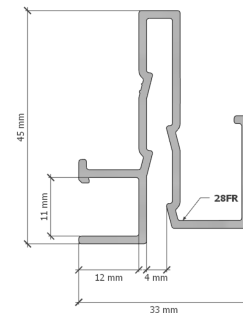
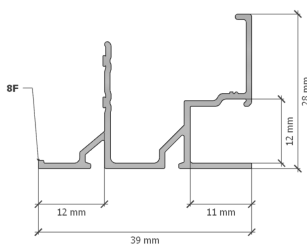
External side
[label.finitionTC]



Internal side
Structured polystyrene



Rail diagram



English version

Version française



2024-05 • Fixolite Disclaimer. The information provided in this technical sheet is for reference only and without warranty of accuracy or completeness. Fixolite disclaims any liability for errors, omissions, or consequences related to the use of this information. Specifications are subject to change without notice.