

Reference : C-R28S29 8-28FR F-SG

The Fixolite box is a 6 m long prefabricated lintel box designed to receive a closure (roller shutter, BSO, etc.). The box consists of an inverted U-shaped, fire-retardant expanded polystyrene (30 kg/m³ density) shell reinforced with steel mesh. The side walls are fitted with aluminum rails.

Reinforced model box. This box is reinforced by 3 mm steel brackets, every 1.2 m and is intended for openings of more than 1.6 m. The box is certified by Technical Advice to the CSTB.

Type	R28S29
Outer rail ref.	827
Inner rail ref.	28FR
Finishing	Wood-cement fiber
Color	Grey graphitized polystyrene
Compatible cheek	J-28
Certification	CSTB 16-11-634 (translated)
Thermal conductivity	U = 1.14 W/m ² .K
Thermal resistance*	R = 0.88 m ² .K/W
(*) R: thermal resistance (m ² .K/W) taking into account a λ coefficient of 0.0374 W/m.K after application of a safety coefficient of 1.15.	
Weight	3.9 kg/m
Reaction to fire	class E (EN ISO 11925-2/EN 13 501)
Air permeability	c*3 class
Acoustic perf. (Dn _w)	55 dB

Components

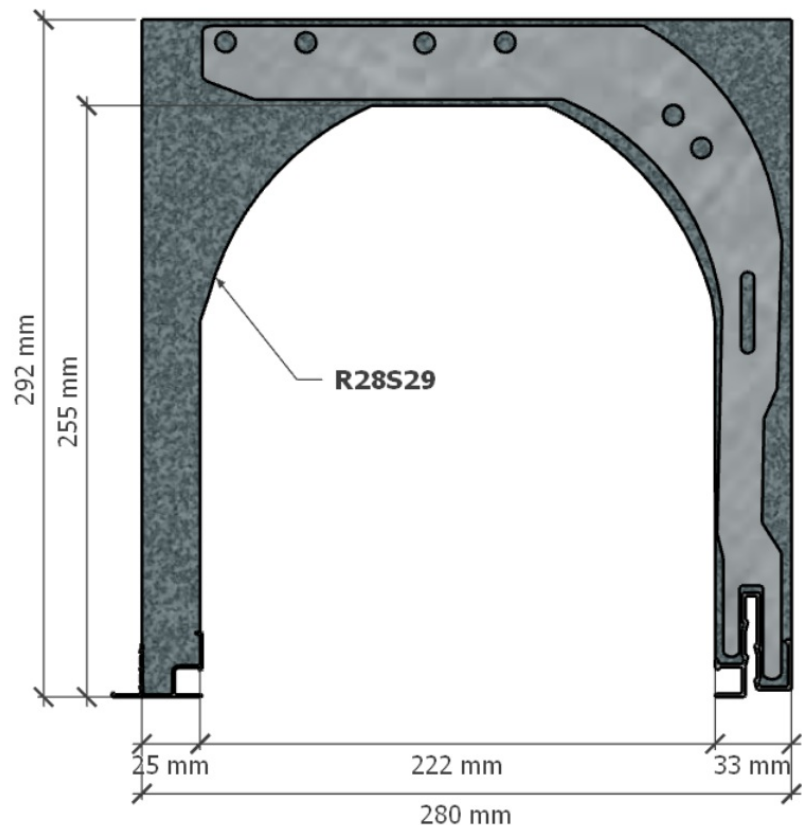
Aluminium (recycl. 85%)	0.92 kg/m
Steel (recycl. 96.5%)	1.01 kg/m
Polystyrene (recycl. 10%)	0.82 kg/m
Wood-cement fiber	1.15 kg/m
Total	3.9 kg/m

Finishing (Wood-cement fiber)



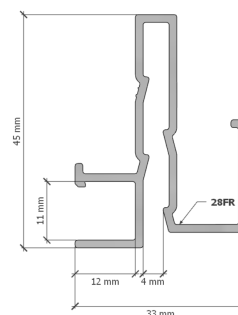
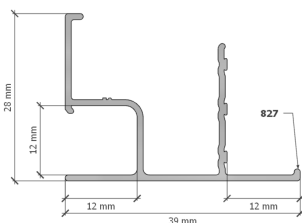
Box dimensions

Width	280 mm
Height	292 mm
Tunnel	222 mm
External side	33 mm
Internal side	25 mm



Box shown: C-R28S29 8-28FR NG

Rail diagram



English version:

https://fixolite.eu/doc/C-R28S29_8-28FR_F-SG.en.pdf



Version française:

https://fixolite.eu/doc/C-R28S29_8-28FR_F-SG.fr.pdf