

Reference : C-BSO28H32 8-FX-8E

The Fixolite box is a 6 m long prefabricated lintel box designed to receive a closure (roller shutter, BSO, etc.). The box consists of an inverted U-shaped, fire-retardant expanded polystyrene (30 kg/m³ density) shell reinforced with steel mesh. The side walls are fitted with aluminum rails.

Orienable Sun Shade model box. This box is specially adapted for BSOs. Its cutaway allows it to accommodate the largest shutters and to fix it on its central rail. The box is certified by Technical Advice to the CSTB.

Type	BSO28H32
Outer rail ref.	827
Inner rail ref.	8E
Color	Grey graphitized polystyrene
Compatible cheek	J-BSO

Certification [CSTB 16-11-634](#)
(translated)

Thermal conductivity $U = 0.39 \text{ W/m}^2.\text{K}$

Thermal resistance* $R = 2.54 \text{ m}^2.\text{K/W}$

(*) R: thermal resistance (m².K/W) taking into account a λ coefficient of 0.0374 W/m.K after application of a safety coefficient of 1.15.

Weight 3.77 kg/m

Reaction to fire class E (EN ISO 11925-2/EN 13 501)

Air permeability c*3 class

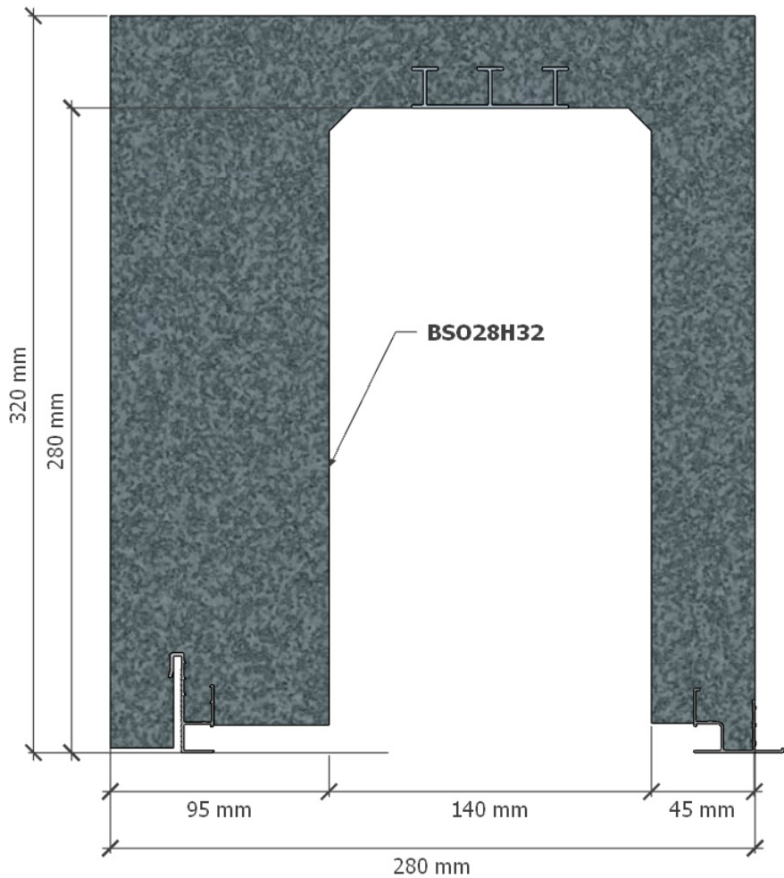
Acoustic perf. (Dn_w) 55 dB

Box dimensions

Width	280 mm
Height	320 mm
Tunnel	140 mm
External side	95 mm
Internal side	45 mm

Components

Aluminium (recycl. 85%)	1.16 kg/m
Steel (recycl. 96.5%)	1.1 kg/m
Polystyrene (recycl. 10%)	1.51 kg/m
Total	3.77 kg/m



Sides finishing

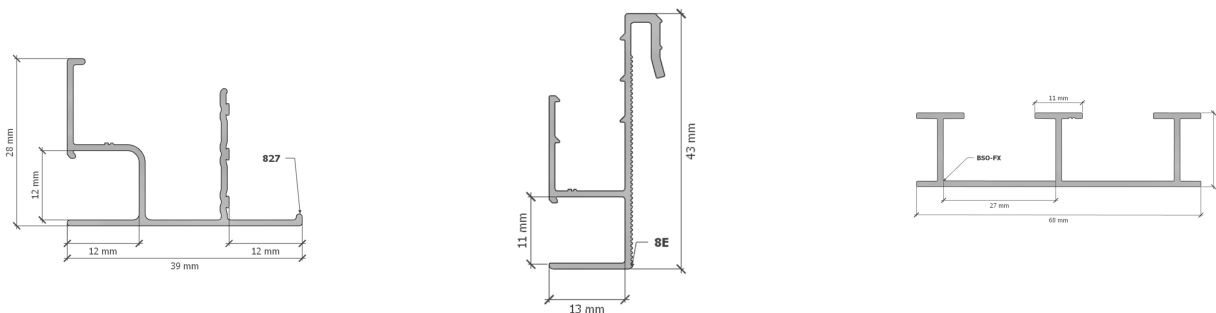
External side
Structured polystyrene



Internal side
Ribbed polystyrene



Rail diagram



[English version](#) [Version française](#)



2024-05 • Fixolite Disclaimer. The information provided in this technical sheet is for reference only and without warranty of accuracy or completeness. Fixolite disclaims any liability for errors, omissions, or consequences related to the use of this information. Specifications are subject to change without notice.